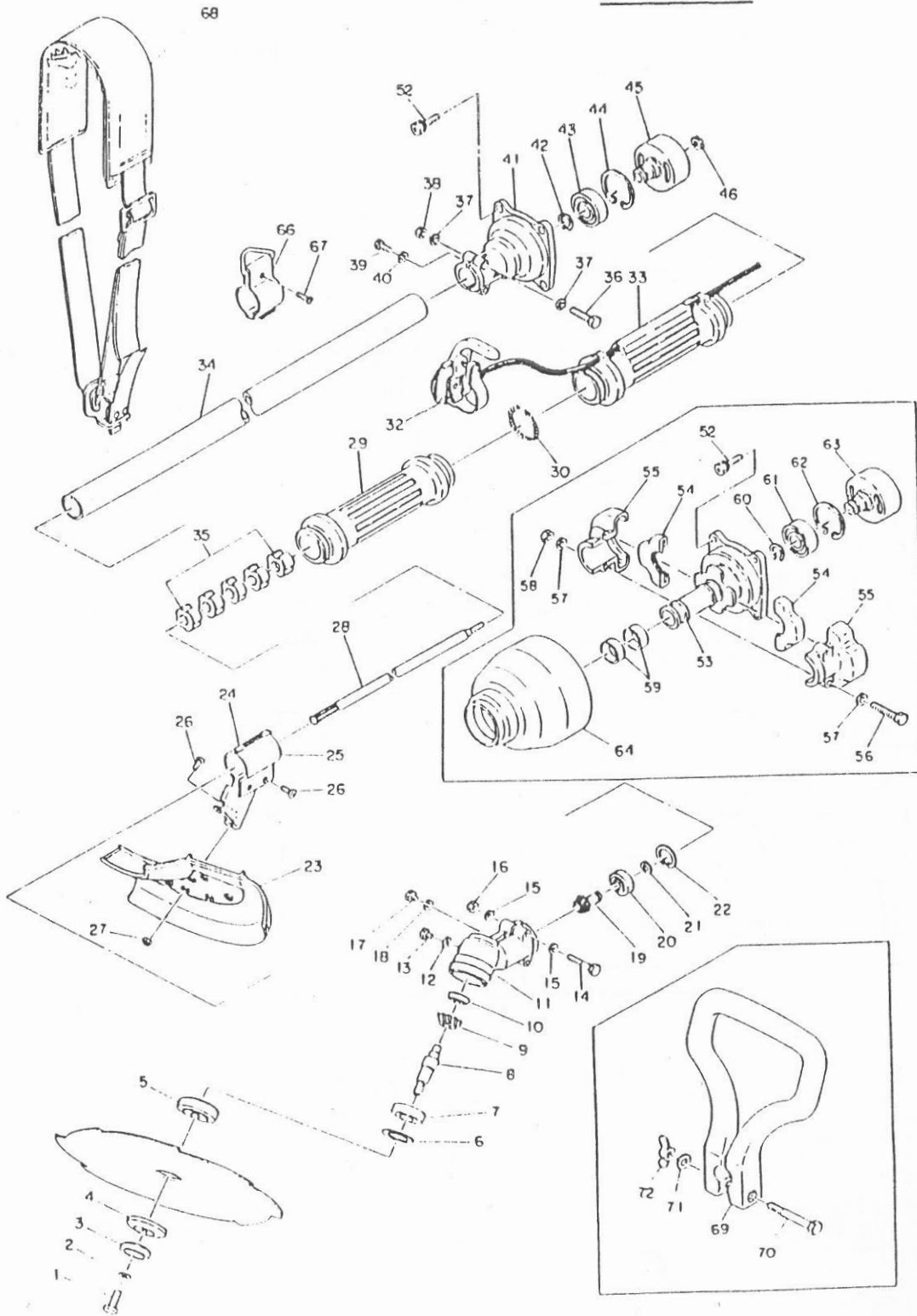


ATTACHMENT ILLUSTRATION

Model : T80



ATTACHMENT PARTS LIST

Item No	Part No	Part Name	Pce.(s)/Unit	Remark
	708002	Gear Housing Assy	1	
1	708003	• Screw-Cutter Blade	1	
2	650062	• Washer 6 φ	1	
3	708004	• Cup Washer	1	
4	708005	• Lower Clamp	1	
5	708006	• Upper Clamp	1	
6	621026	• Snap Ring R-26	1	
7	600005	• Ball Bearing 6000D	1	
8	708007	• Gear Shaft	1	
9	708008	• Gear	1	
10	606260	• Ball Bearing 626	1	
11	708009	• Gear Housing	1	
12	651060	• Spring Washer 6 φ	1	
13	630608	• Screw M6×8	1	
14	630530	• Screw M5×30	2	
15	650051	• Washer 5 φ	4	
16	640500	• Nut M5	2	
17	630510	• Screw M5×10	1	
18	651050	• Spring Washer 5 φ	1	
19	708010	• Pinion Gear	1	
20	606081	• Ball Bearing 608Z	1	
21	621008	• Snap Ring S-8	1	
22	621022	• Snap Ring R-22	1	
	703305	Safety Guard Set	1	Incl. Item 23 - 27
23	703302	• Guard	1	
24	703306	• Clamp A	1	
25	703307	• Clamp B	1	
26	632515	• Screw M5×15	4	
27	-702038	• Hex Nut M5	2	
28	708011	Driveshaft	1	
29	708013	Forward Grip	1	
30	704096	Spring	4	
32	709043	Lever Throttle E355-202 Ø24	1	
33	709044	Rear Grip Ø24	1	
	708016	Driveshaft Housing Assy	1	
34	708017	• Driveshaft Housing	1	
(35)		• Metal	5	
		Lead Wire		
	708080	Clutch Housing Assy	1	
36	710021	• Screw M5×22	1	
37	651050	• Washer 5 φ Spring Washer M5	1	
38	640500	• Hex-Nut	2	
39	630510	• Screw M5×10	1	

